

RIM-LVD2-W

12/24 Volt DC Decor Dimmer switch

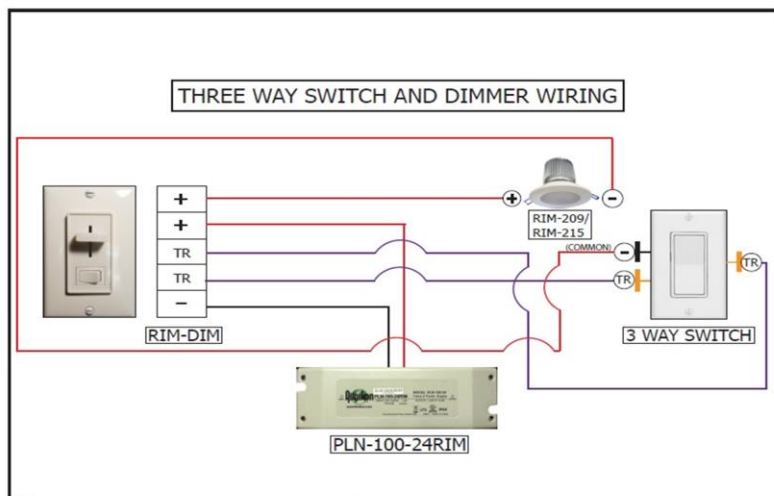
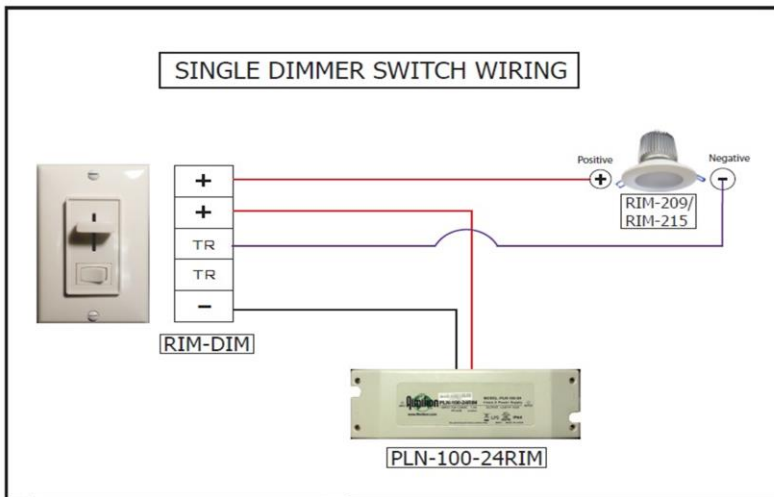
Specifications

Part #: RIM-LVD2-W
 Color: White
 Input Voltage: 12/24 volt DC 4 amp max
 Output: 12/24 volt DC
 Net Weight: .2lbs
 Dimensions: 4-1/8 " x 1-3/4"
 Certifications: UL,CUL,

Product Description

Rimikon Extra low voltage décor dimmer switch can be used with 12 or 24 volt LED product such as Recessed LED lights , Cabinet lights , Strip LED 12v Wall lamp or 24 volt outdoor flood lamp.
 Decor style wall plate sold separately.

Warranty 1 year



Rimikon 24 volt DC LED decor Style dimmer switch light application

